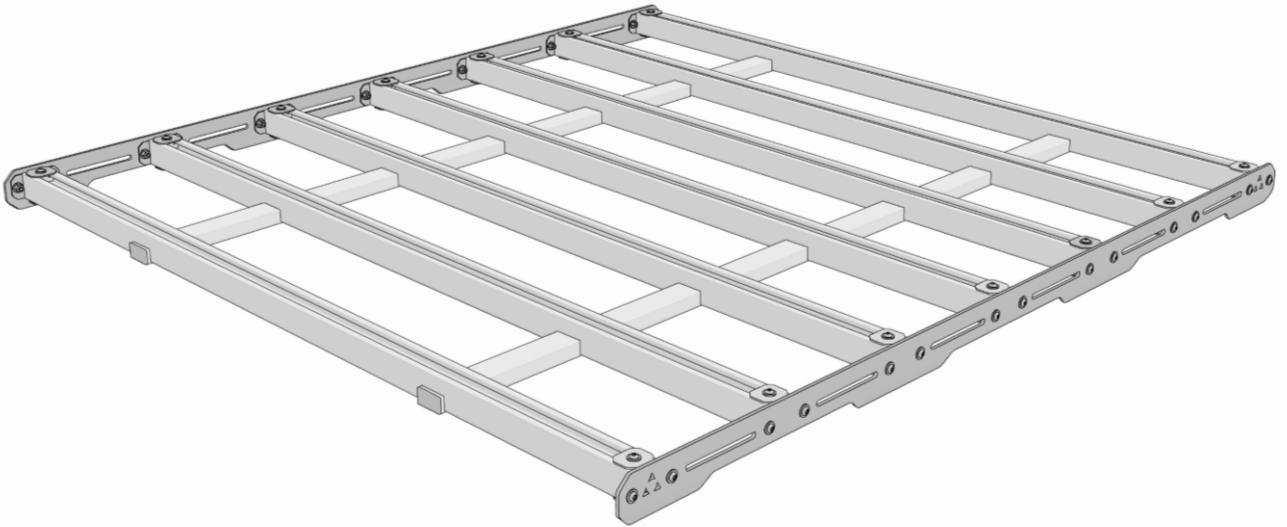




# ApexOEM

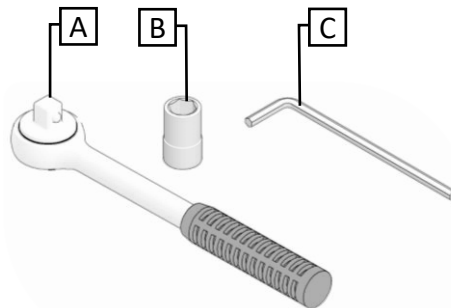
## 3211415-56" L X 53" W PLATFORM RACK



INSTALL TIME: 90 MIN.

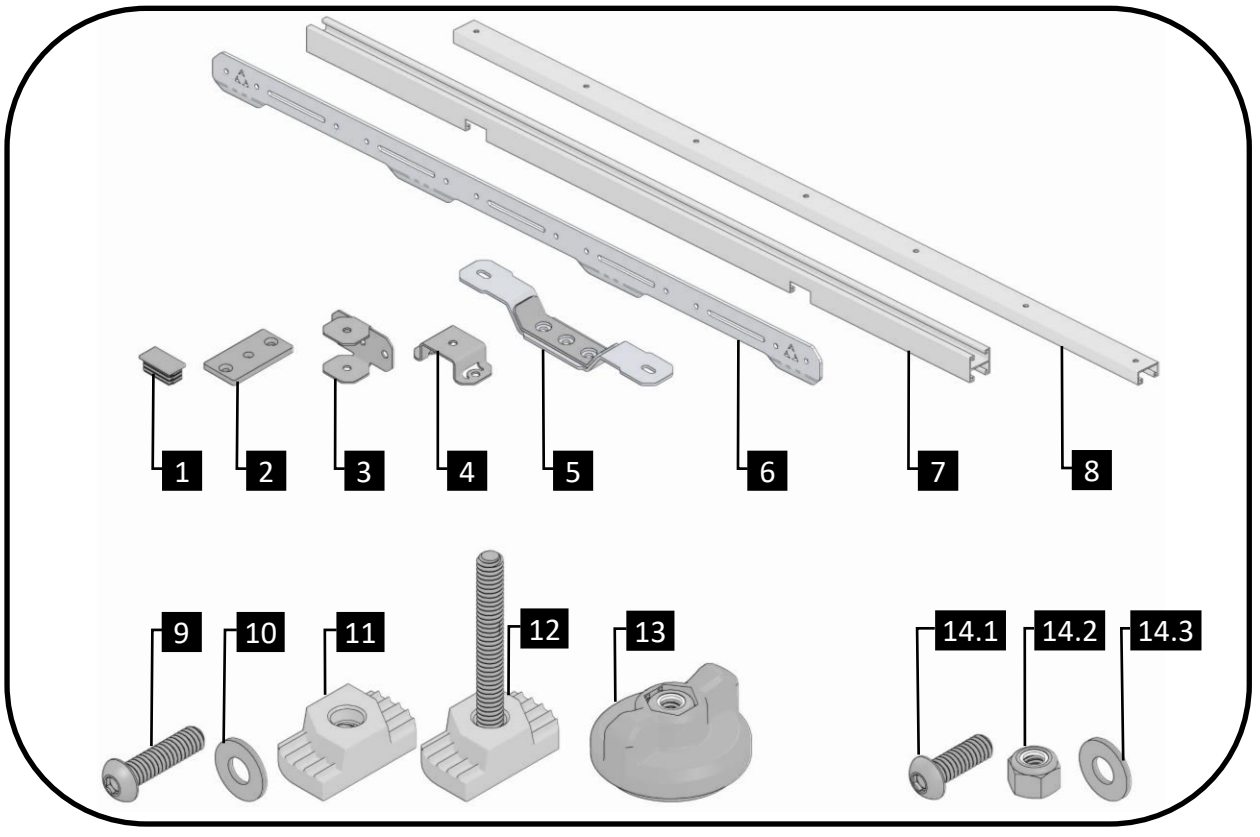
### TOOLS REQUIRED

A	RATCHET
B	7/16" SOCKET
C	5/32" ALLEN KEY



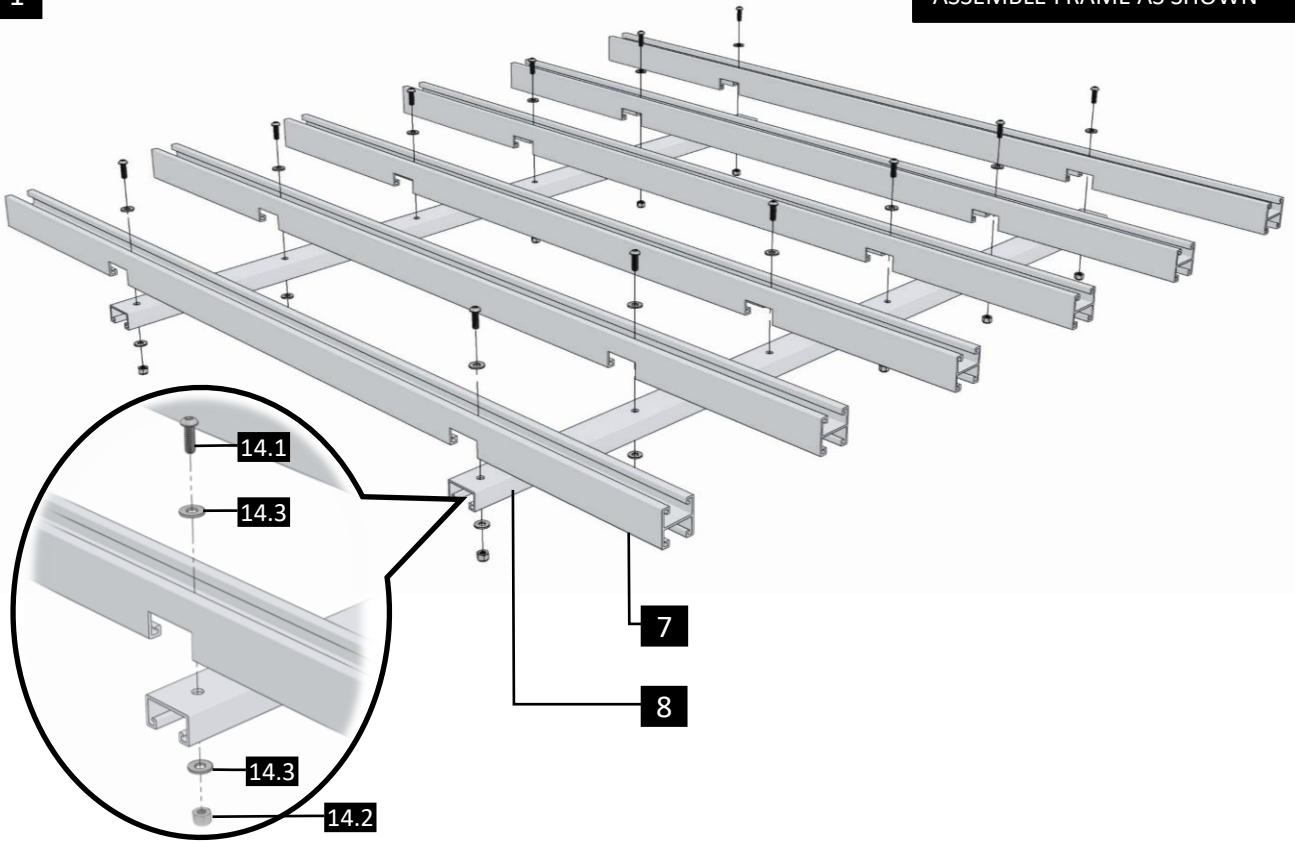
## PARTS LIST

ITEM	QTY.	DESCRIPTION	PART NO.
1	4	1-5/8" CHANNEL END CAP	X20173120
2	4	TOP MOUNT PLATE	A000-115-B
3	14	CONNECTING BRACKET	3211411-1002
4	4	TOP MOUNT BRACKET	3211411-1003
5	4	BOTTOM MOUNT BRACKET	3211411-1004
6	2	SIDE RAIL	3211415-1000
7	7	CROSS CHANNEL	3211415-2011
8	2	SUPPORT CHANNEL	3211415-2018
9	8	1/4"-20 X 1" BUTTON HEAD SCREW	
10	8	1/4" FLAT WASHER	
11	36	1/4"-20 STRUT NUT	191425-01
12	8	1/4"-20 CHANNEL STUD	191925-01
13	8	TREADED KNOB	321126-100
14	1	HADWARE KIT	3211415-100
14.1	70	1/4"-20 X 3/4" BUTTON HEAD SCREW	
14.2	42	1/4"-20 LOCK NUT	
14.3	112	1/4" FLAT WASHER	

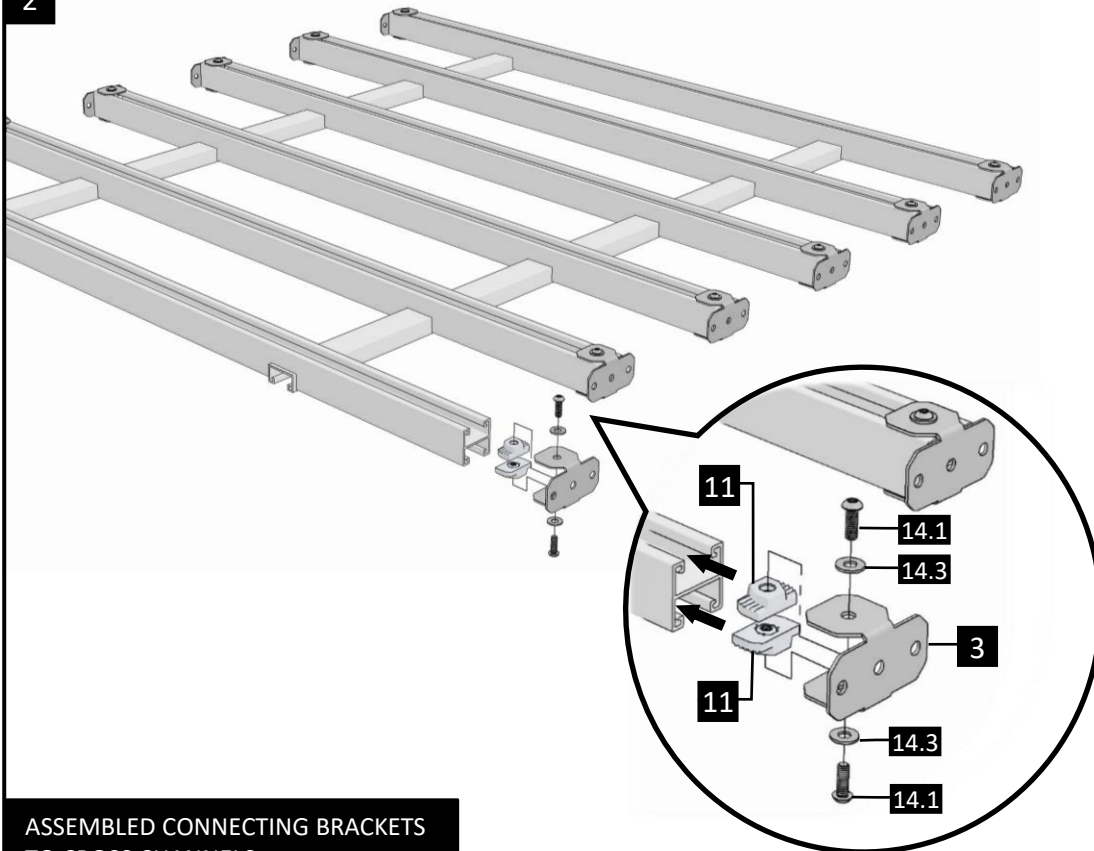


1

ASSEMBLE FRAME AS SHOWN

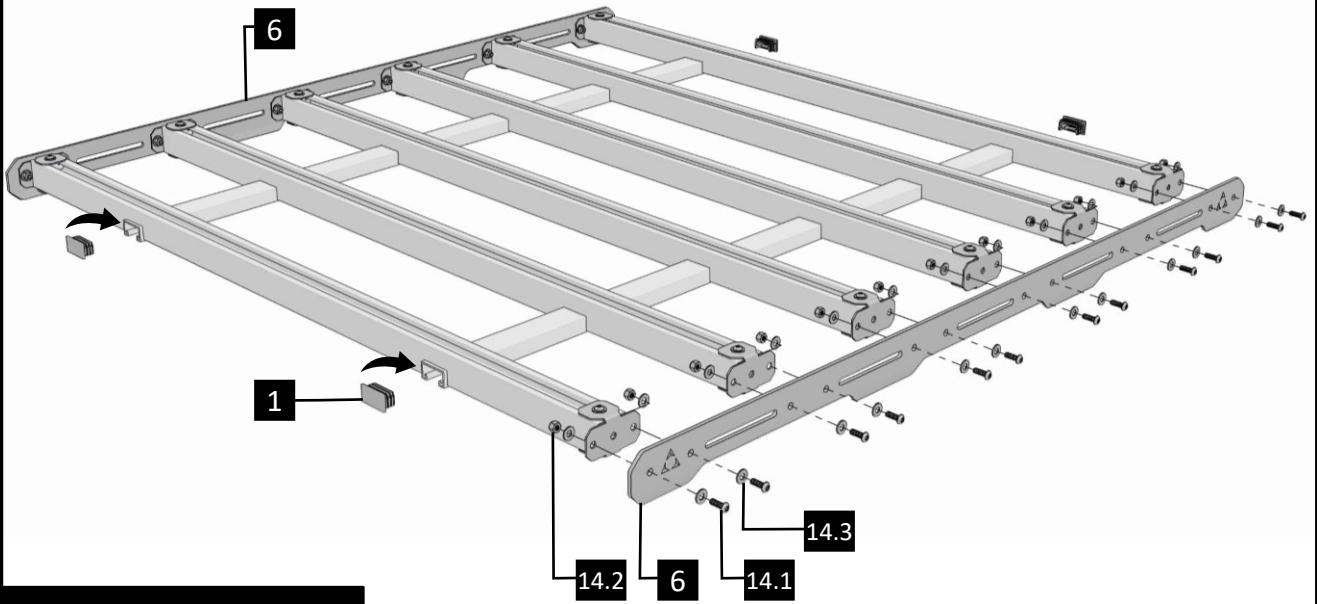


2



ASSEMBLED CONNECTING BRACKETS TO CROSS CHANNELS.

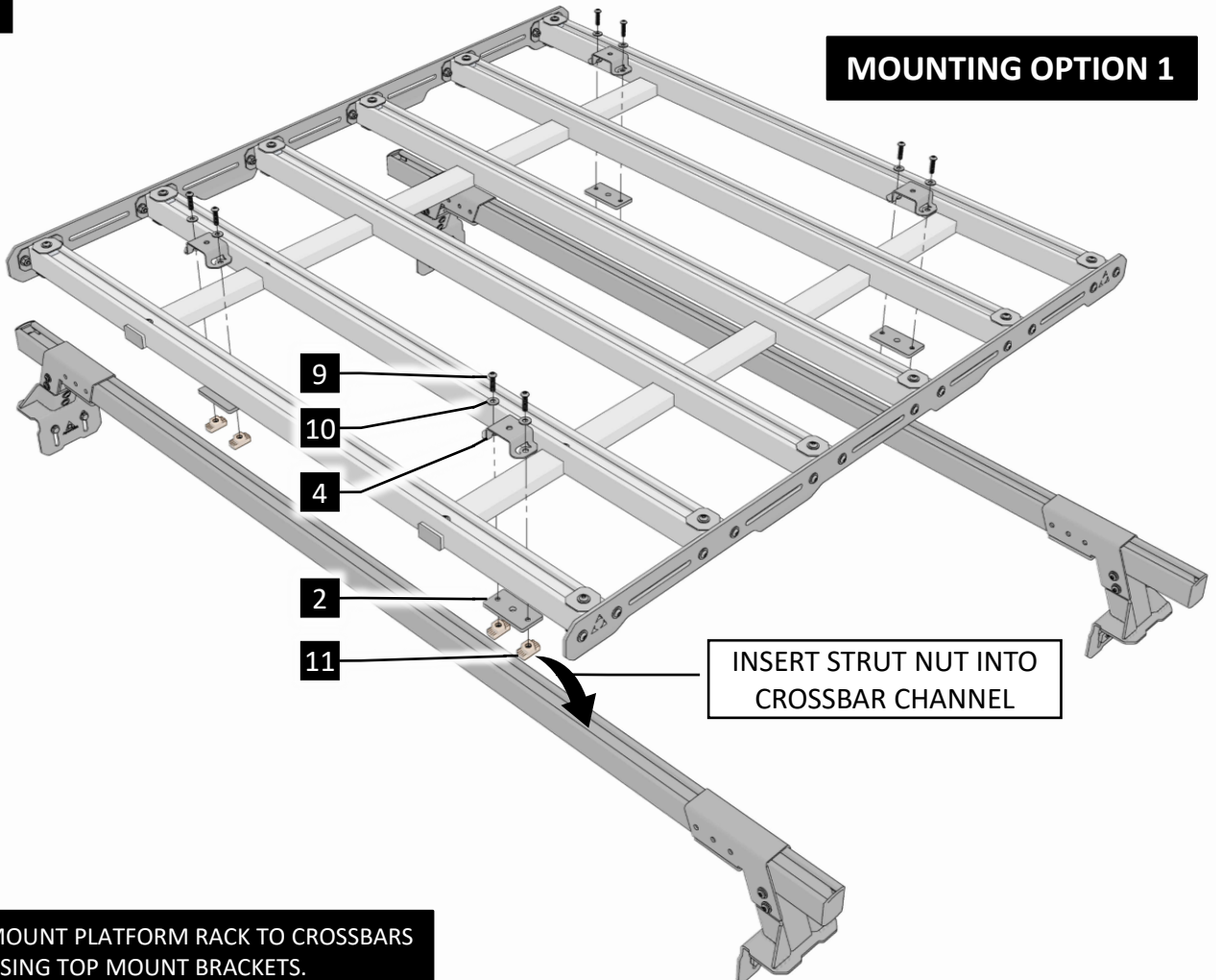
3



ASSEMBLED SIDE RAILS TO CONNECTING BRACKETS.

4

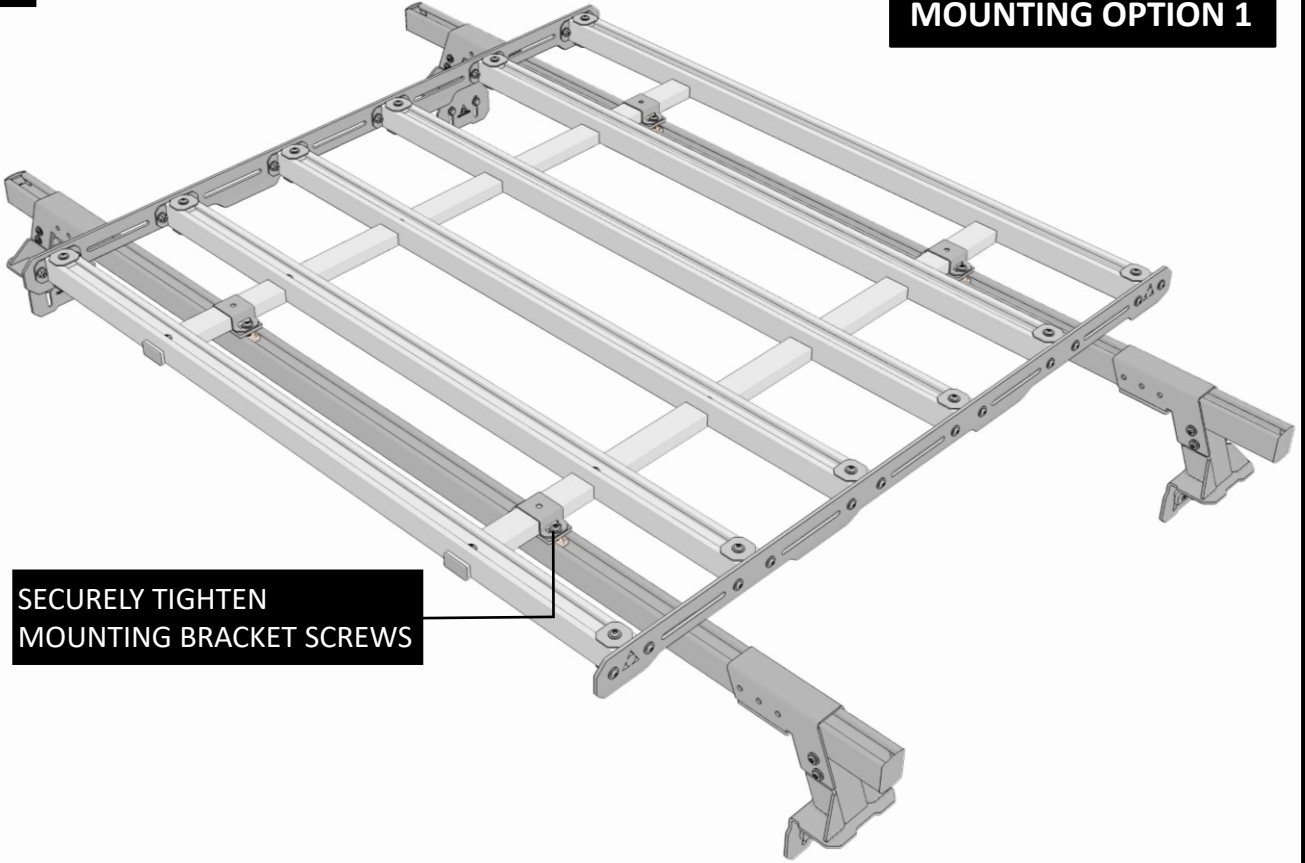
**MOUNTING OPTION 1**



MOUNT PLATFORM RACK TO CROSSBARS USING TOP MOUNT BRACKETS.

5

**MOUNTING OPTION 1**

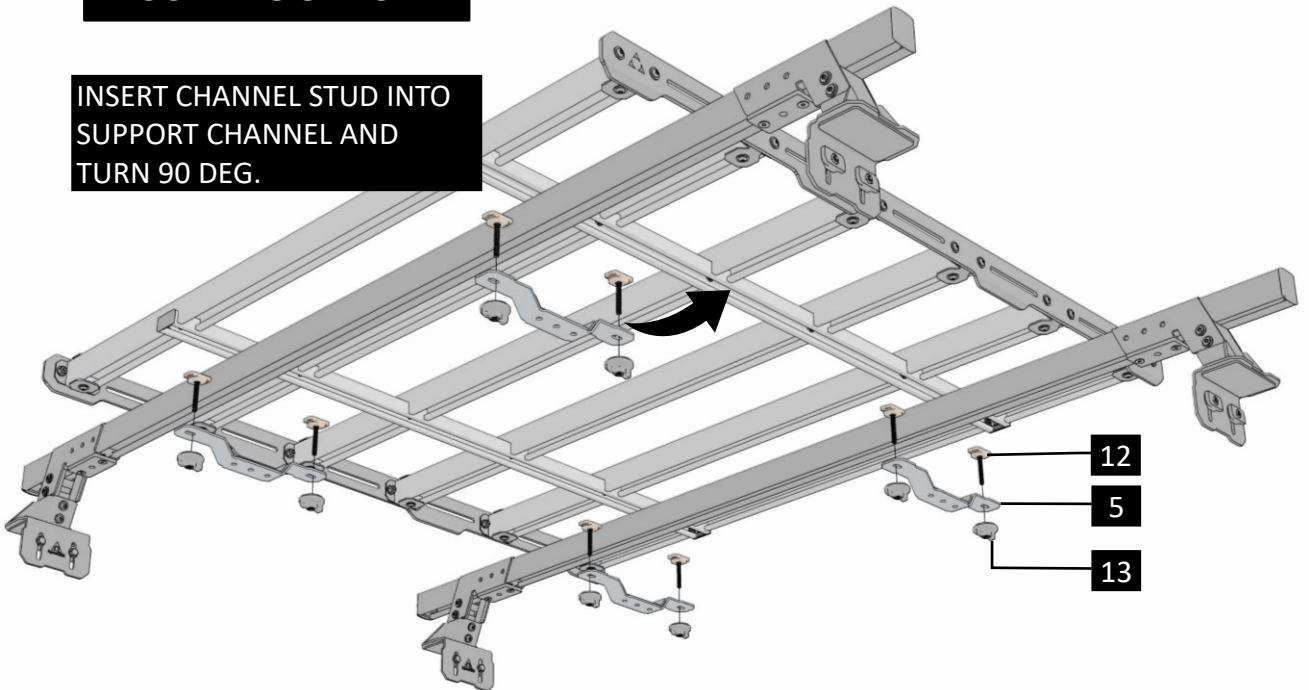


**SECURELY TIGHTEN  
MOUNTING BRACKET SCREWS**

6

**MOUNTING OPTION 2**

**INSERT CHANNEL STUD INTO  
SUPPORT CHANNEL AND  
TURN 90 DEG.**

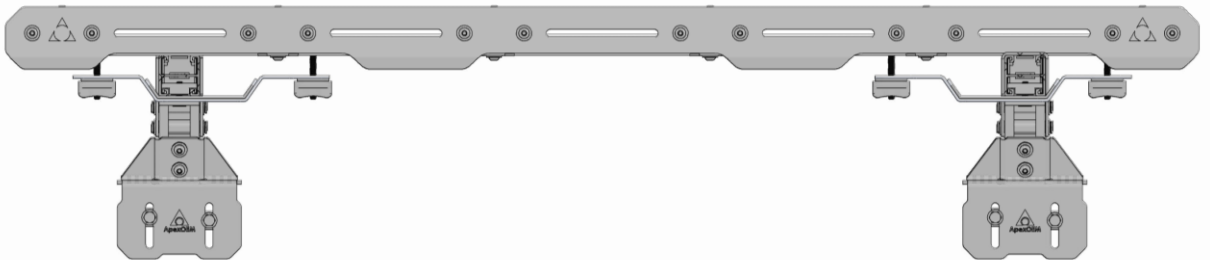


12  
5  
13

**MOUNT PLATFORM RACK TO CROSSBARS  
USING BOTTOM MOUNT BRACKETS.**



**SECURELY TIGHTEN  
MOUNTING BRACKET KNOBS**



**CHECK THAT RACK IS SECURELY MOUNTED**