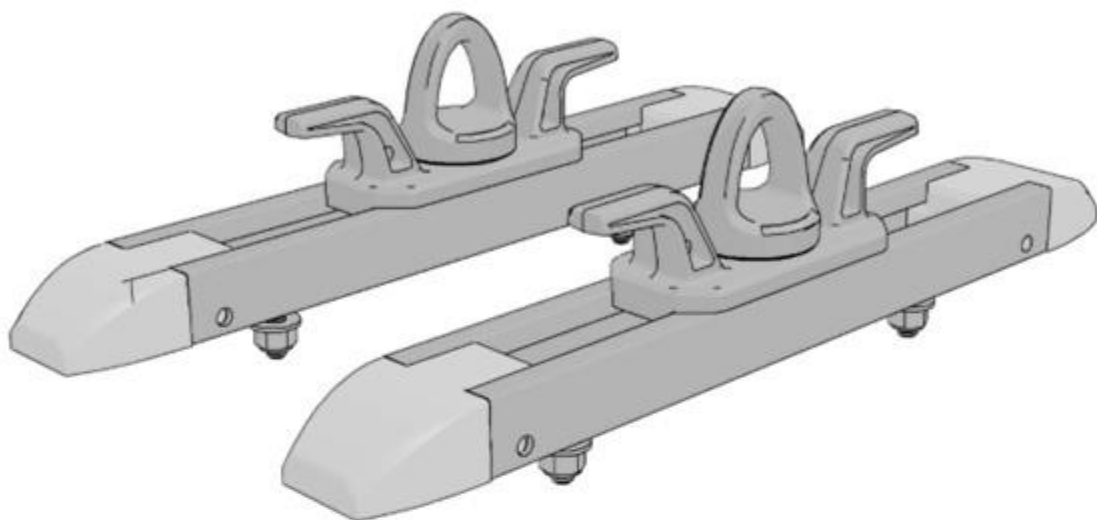




ApexOEM

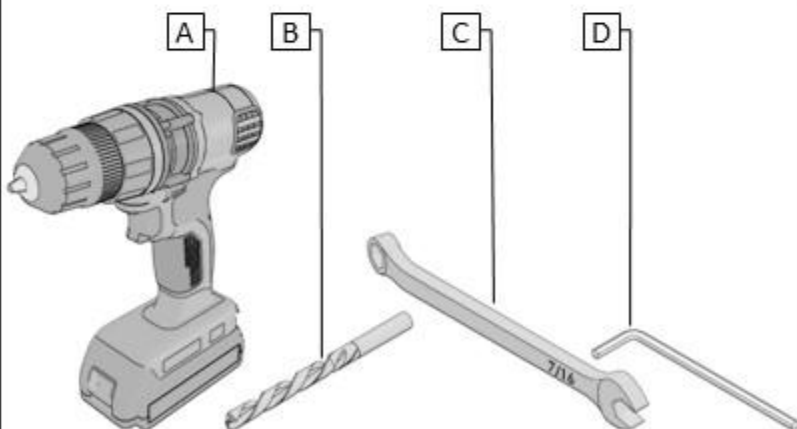
321157-SHORT CARGO RAILS



INSTALL TIME: 30 min

TOOLS REQUIRED

A	DRILL
B	7/16" DRILL BIT
C	7/16" WRENCH
D	5/32" ALLEN KEY



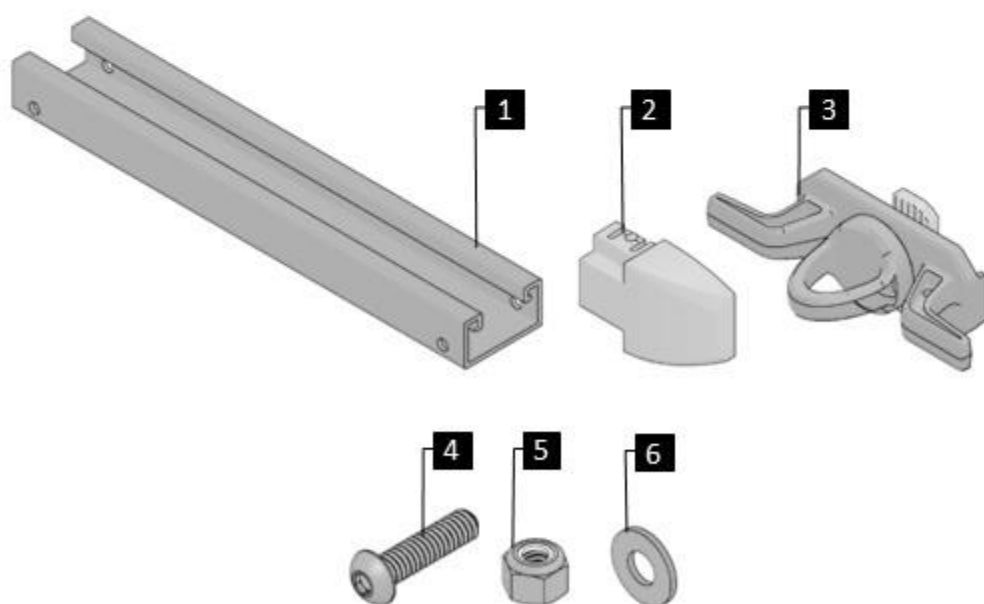


ApexOEM

321157-SHORT CARGO RAILS

PARTS LIST

ITEM	QTY.	DESCRIPTION	PART NO.
1	2	9-1/2" CARGO RAIL	321157-1000
2	4	END CAP	3219-1001
3	2	RAIL TIE DOWN	3219-100
4	4	1/4"-20 X 1" BUTTON HEAD SCREW	
5	4	1/4" NYLON INSERT LOCK NUT	
6	8	1/4" FLAT WASHER	

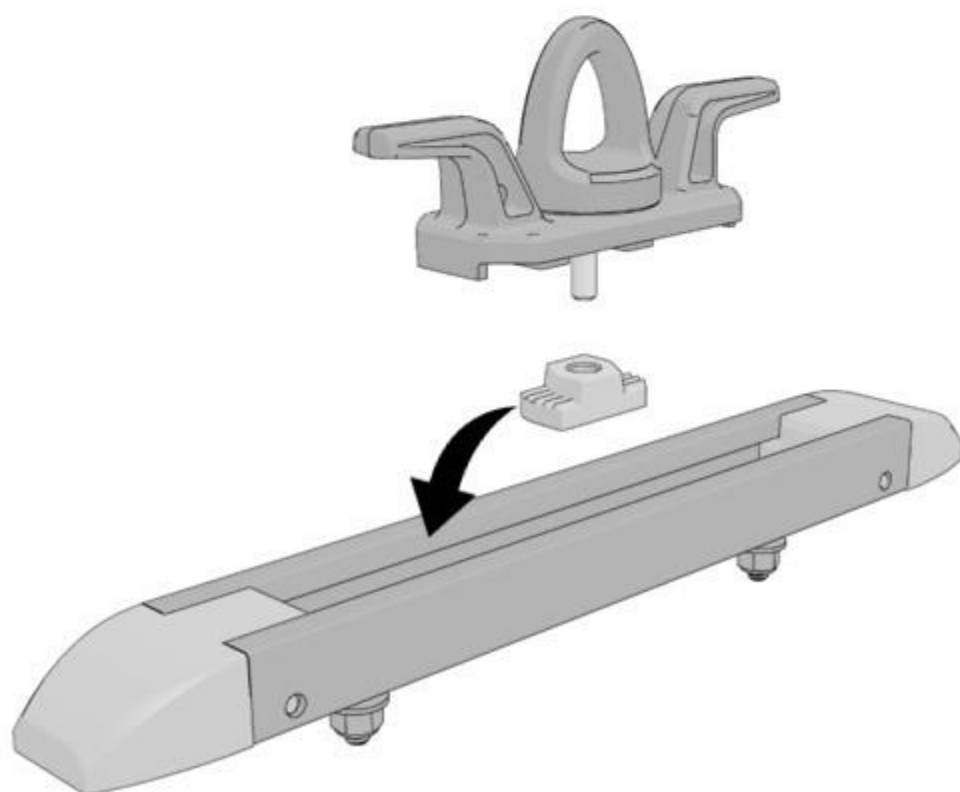


1

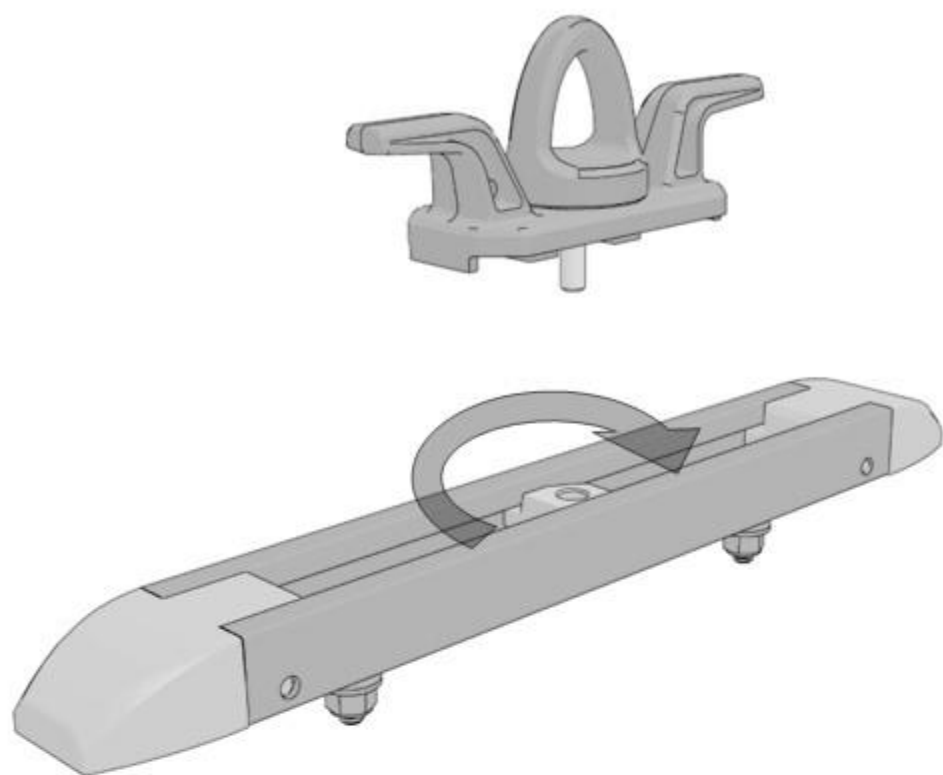
SECURELY ATTACH RAIL TO FLAT SURFACE.



2



3



4

TURN CENTER LOOP CLOCKWISE TO LOCK INPLACE.

