



# ApexOEM

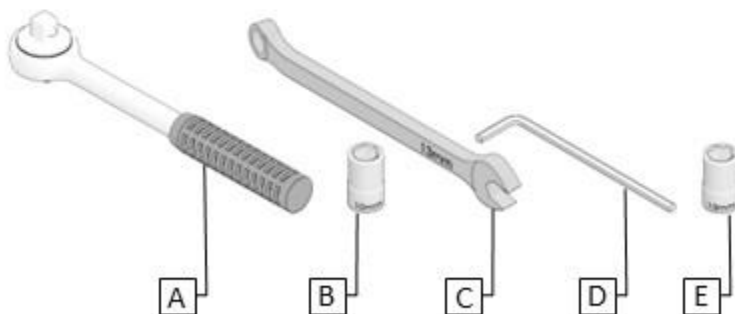
## 321161-JEEP HOOD STRUT KIT



 INSTALL TIME: 30 min

### TOOLS REQUIRED

A	RATCHET
B	10MM SOCKET
C	13MM WRENCH
D	5/32" ALLEN KEY
E	13MM SOCKET



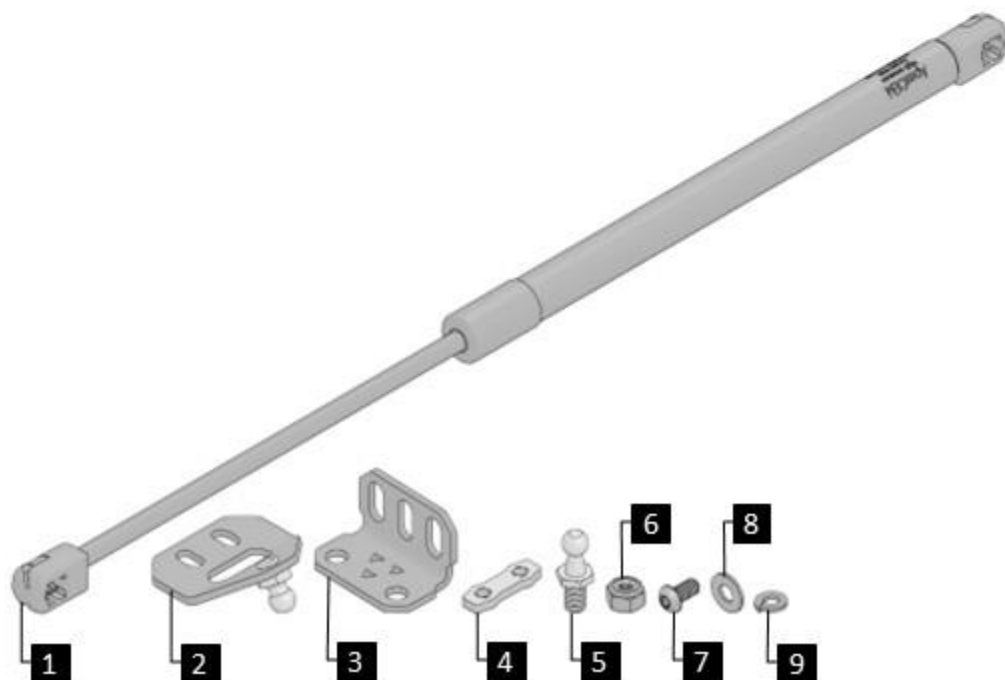


# ApexOEM

## 321161-JEEP HOOD STRUT KIT

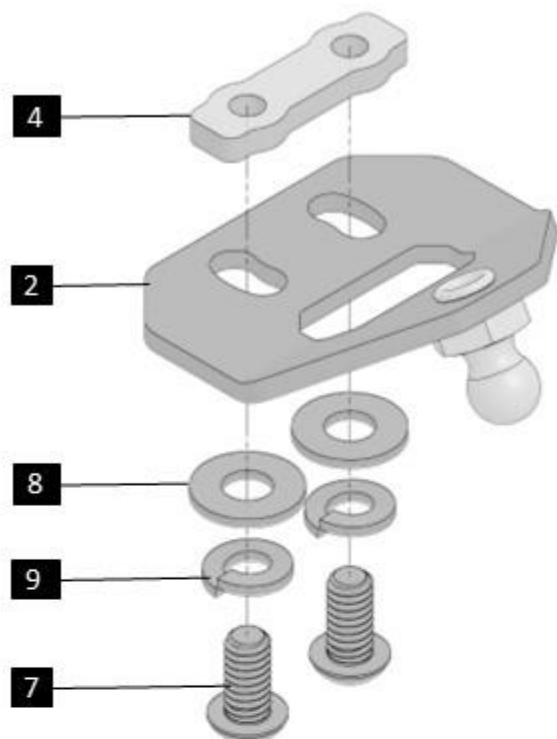
### PARTS LIST

ITEM	QTY.	DESCRIPTION	PART NO.
1	2	GAS STRUT	18-B6B10-462-250
2	2	HOOD BRACKET	321161-100
3	2	BASE BRACKET	321161-1000
4	2	CLAMP BRACKET	321161-1002
5	2	BALL STUD	B10-1000
6	2	M8 NYLON INSERT LOCK NUT	
7	4	¼" -20 X ½" BUTTON HEAD SCREW	
8	4	¼" FLAT WASHER	
9	4	¼" LOCK WASHER	



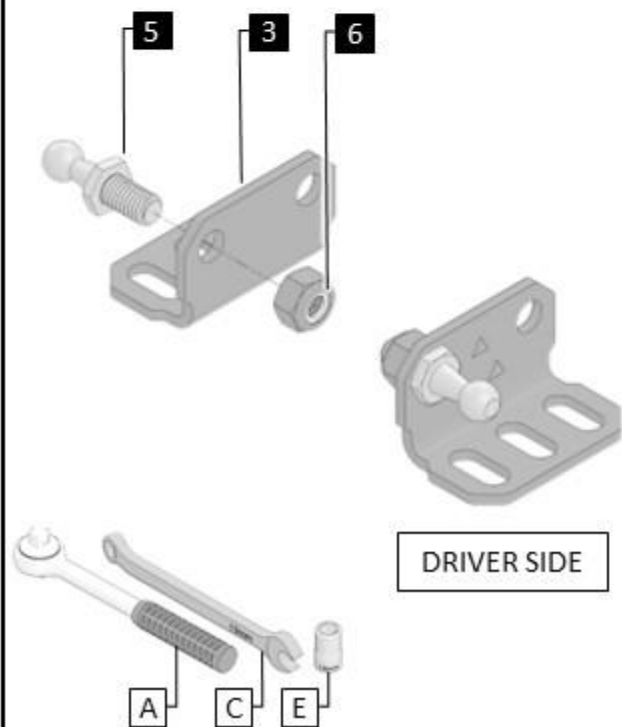
1

HAND TIGHTEN SCREWS.



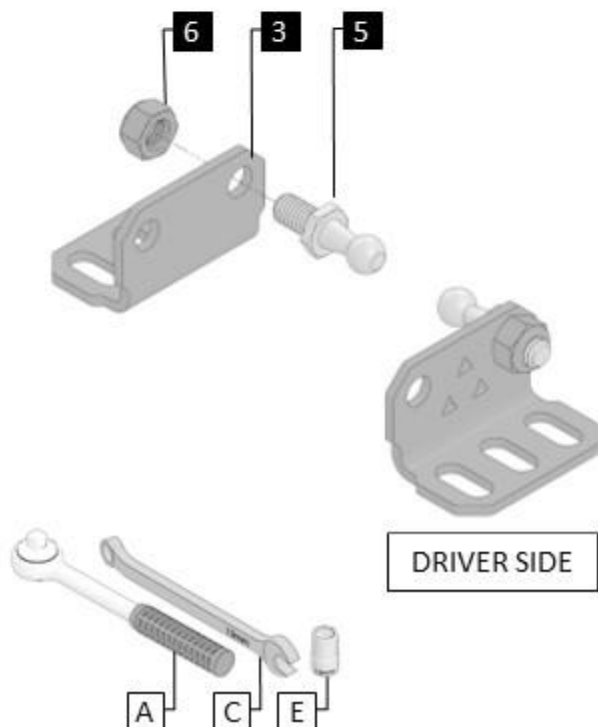
2

JEEP WRANGLER JL / JEEP GADIATOR JT  
ASSEMBLY



2

JEEP WRANGLER JK  
ASSEMBLY



3

JEEP WRANGLER JL / JEEP GLADIATOR JT



3

JEEP WRANGLER JK



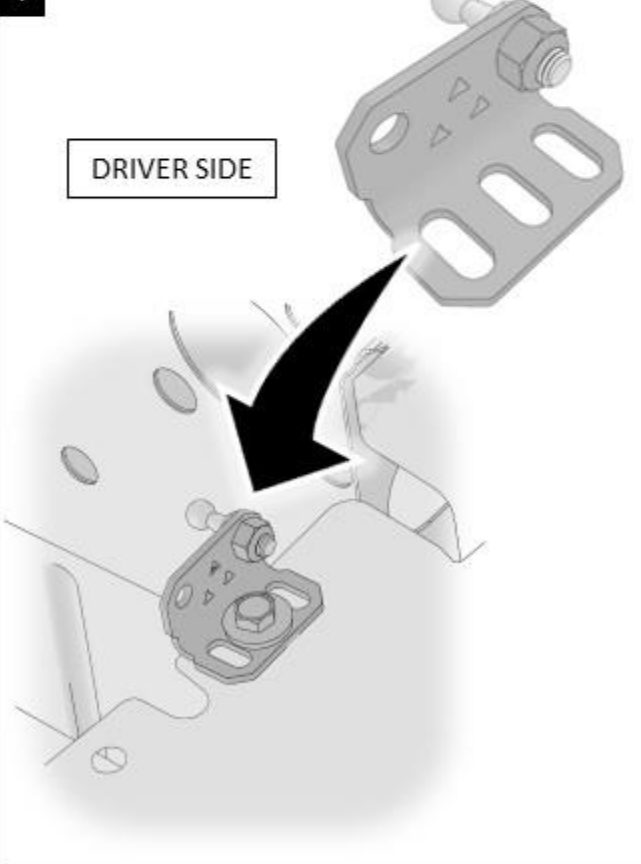
4

DRIVER SIDE



4

DRIVER SIDE

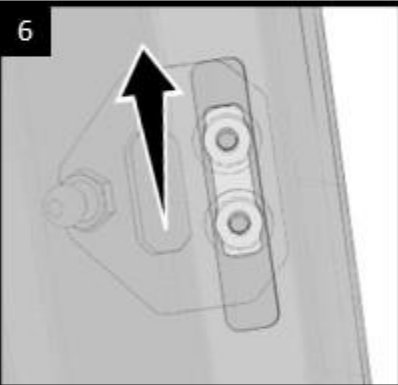




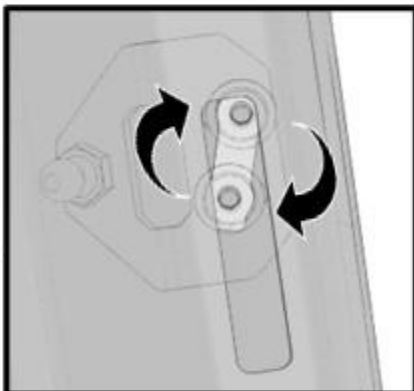
5



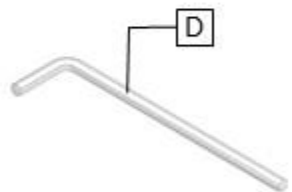
6



SLIDE BRACKET ASSEMBLY  
TO TOP OF OPENING



KEEP HOOD BRACKET  
STRAIGHT AND ROTATE  
CLAMP BRACKET



TIGHTEN BUTTON  
HEAD SCREWS



