



ApexOEM

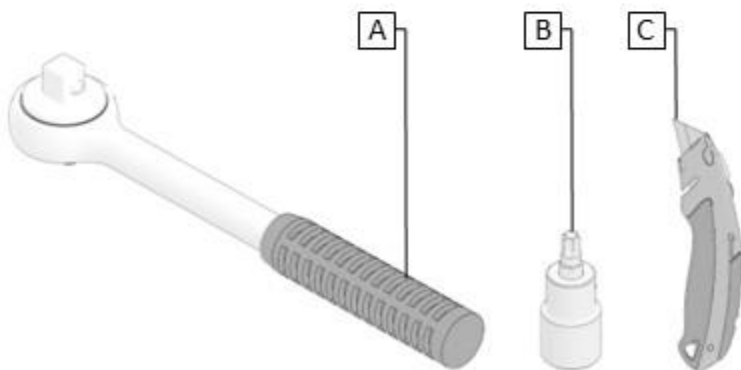
32193-JEEP GLADIATOR CARGO RAILS



 INSTALL TIME: 1 HOUR

TOOLS REQUIRED

A	RATCHET
B	T30 SOCKET
C	UTILITY KNIFE



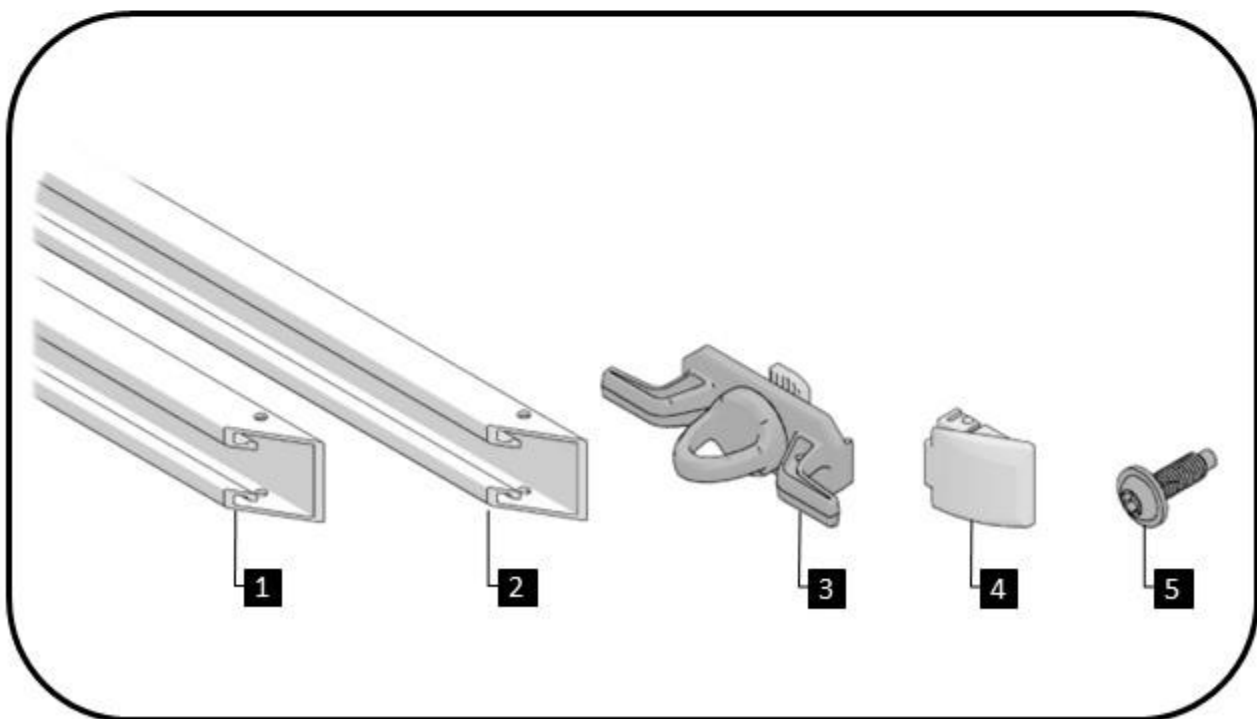


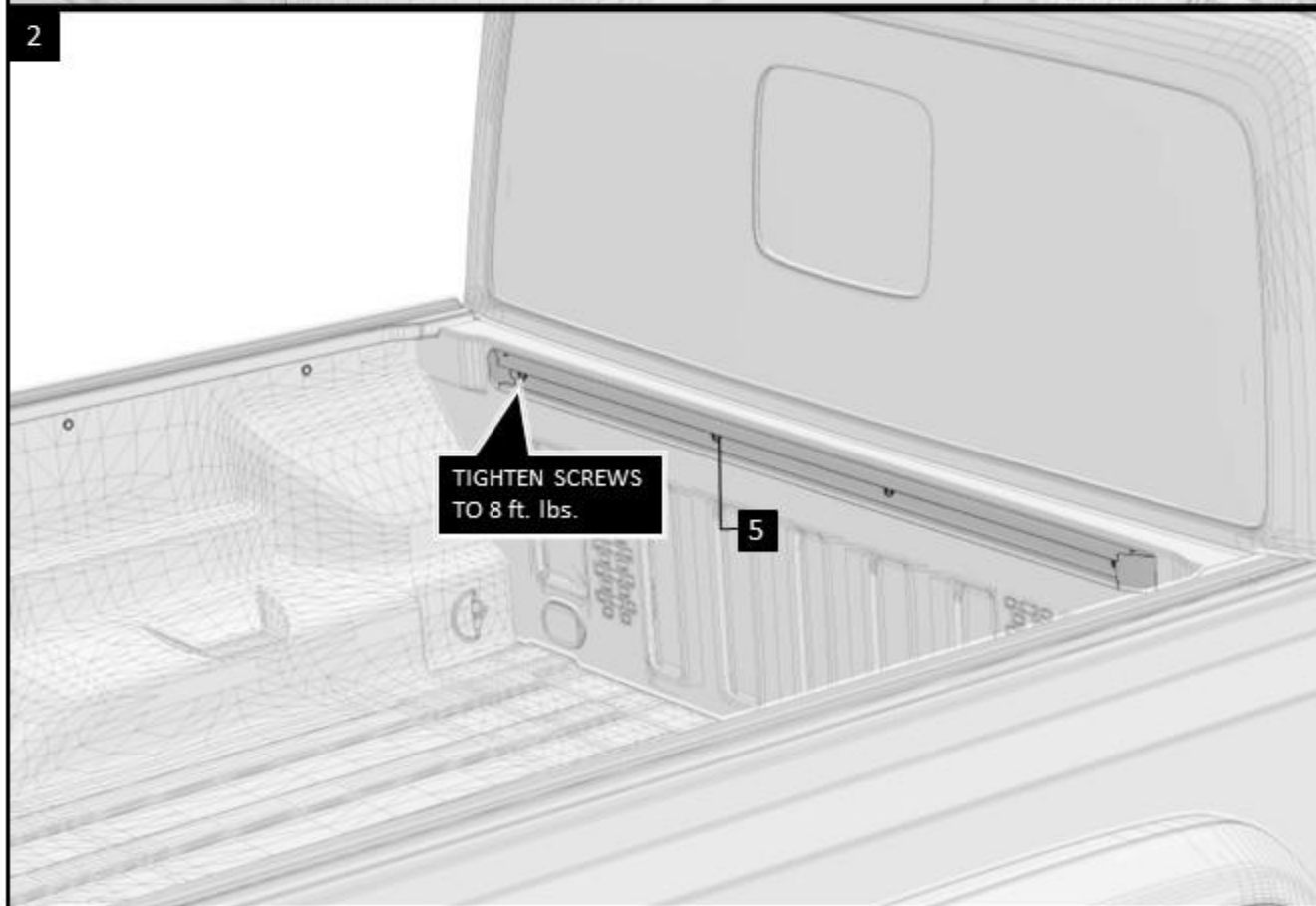
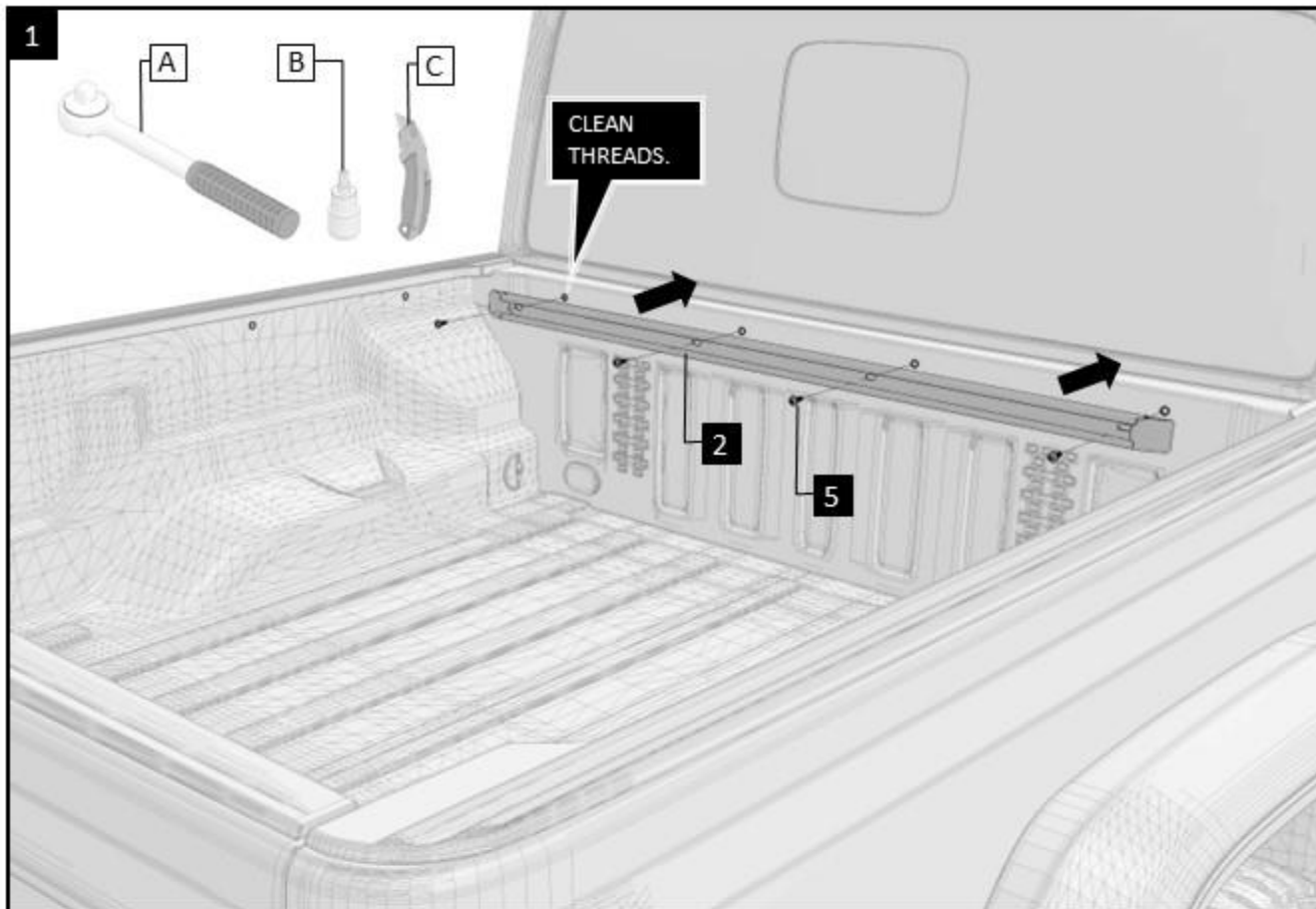
ApexOEM

32193-JEEP GLADIATOR CARGO RAILS

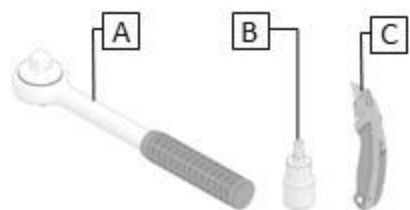
PARTS LIST

ITEM	QTY.	DESCRIPTION	PART NO.
1	2	51" CARGO RAIL	32193-1000
2	1	47" CARGO RAIL	32193-1001
3	4	RAIL TIE DOWN	3219-100
4	6	END CAP	32112-1008
5	12	T30 DRIVE SCREW WITH THREAD LOCKER	32193-1003

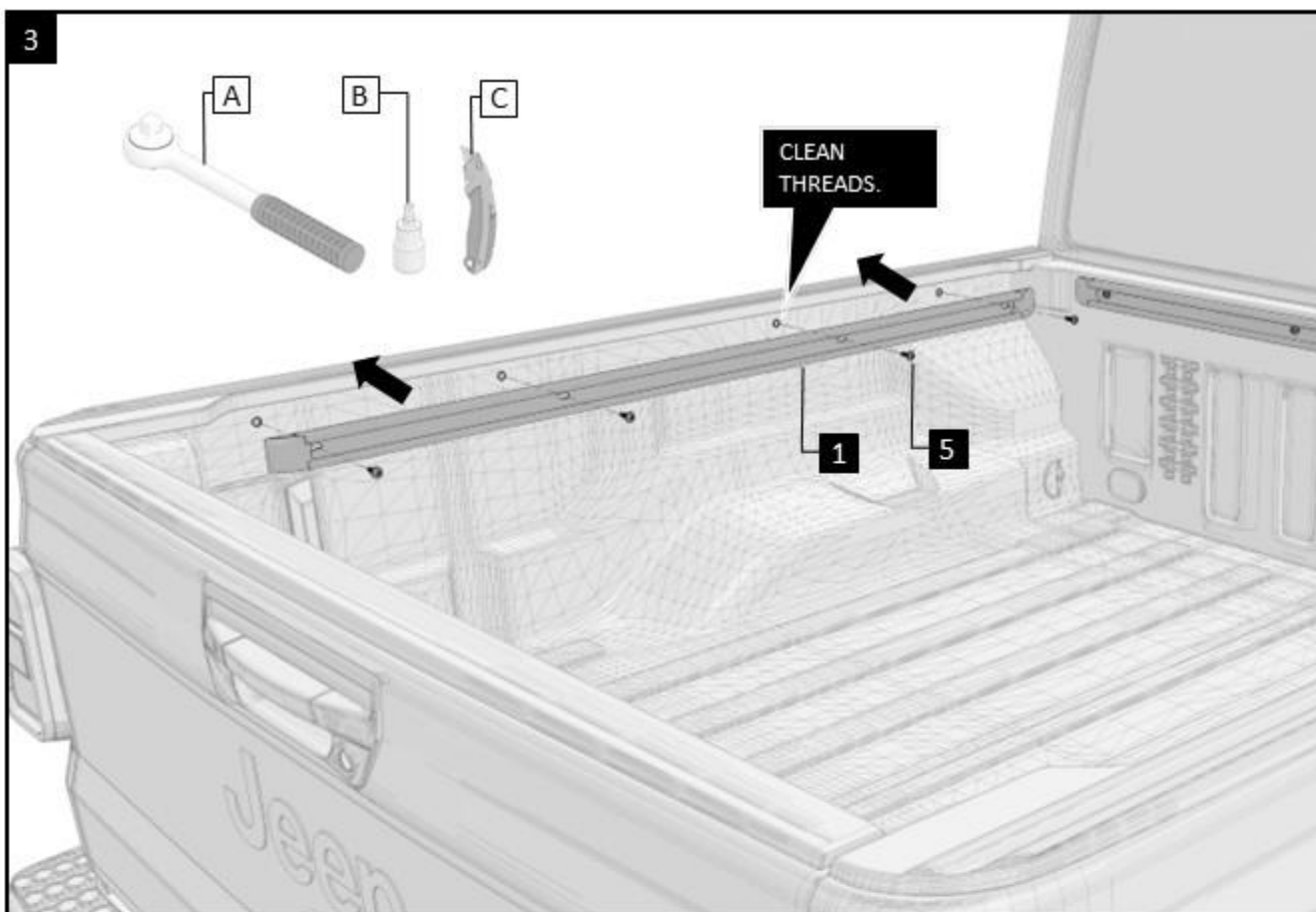




3

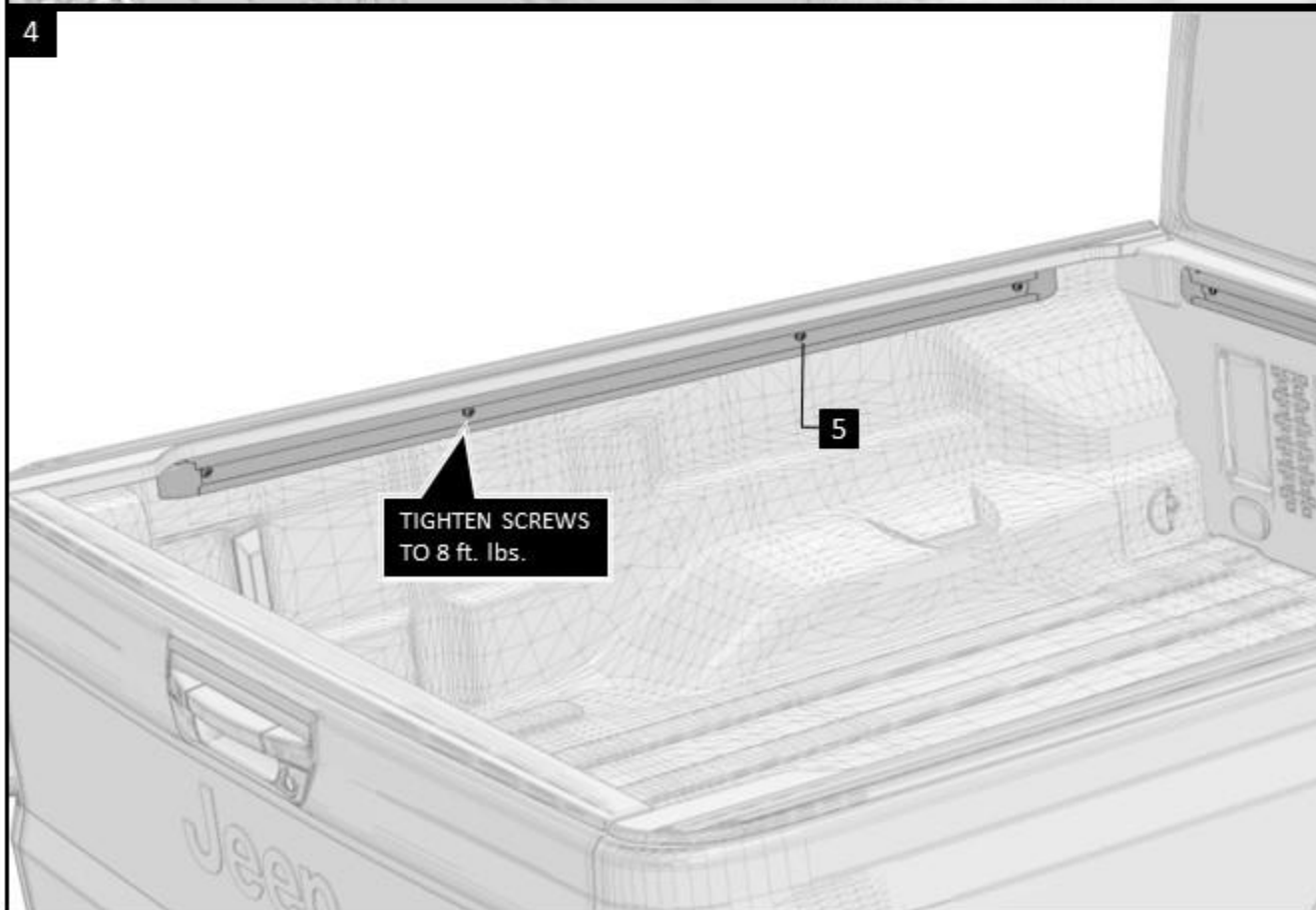


CLEAN
THREADS.



4

TIGHTEN SCREWS
TO 8 ft. lbs.



5

INSERT SINGLE STRUT NUT INTO CHANNEL

ROTATE SINGLE STRUT NUT 90 DEG.

3

3

6

7

SLIDE TIE DOWN TO DESIRED LOCATION. TURN CENTER LOOP CLOCKWISE TO LOCK IN PLACE.

