

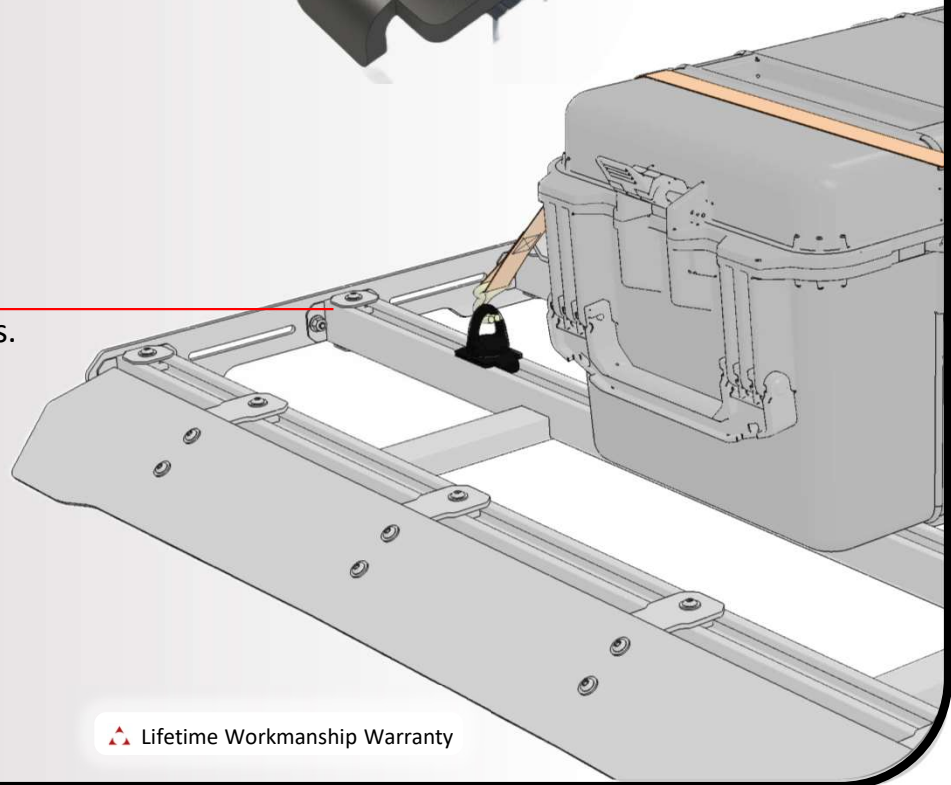


LOOP TIE DOWNS

- △ Die cast aluminum Tie down loop
- △ Black powder coated Finish
- △ 6000 series aluminum Formed base
- △ Die cast aluminum nut With imbedded lock nut



- △ Compatible with standard 1-5/8" channels
- △ Compatible with all ApexOEM's patented profiles.



△ Lifetime Workmanship Warranty

ApexOEM's tie downs are ideal for securing cargo on your truck, trailer or SUV. They attach easily and quickly, with a simple turn of the center loop to tighten. Die cast aluminum with black powder coated finish for long-lasting durability. This version comes in sets of 4.

DESCRIPTION	PART NO.
Rail Tie Downs	3219-300