



RAIL TIE DOWNS

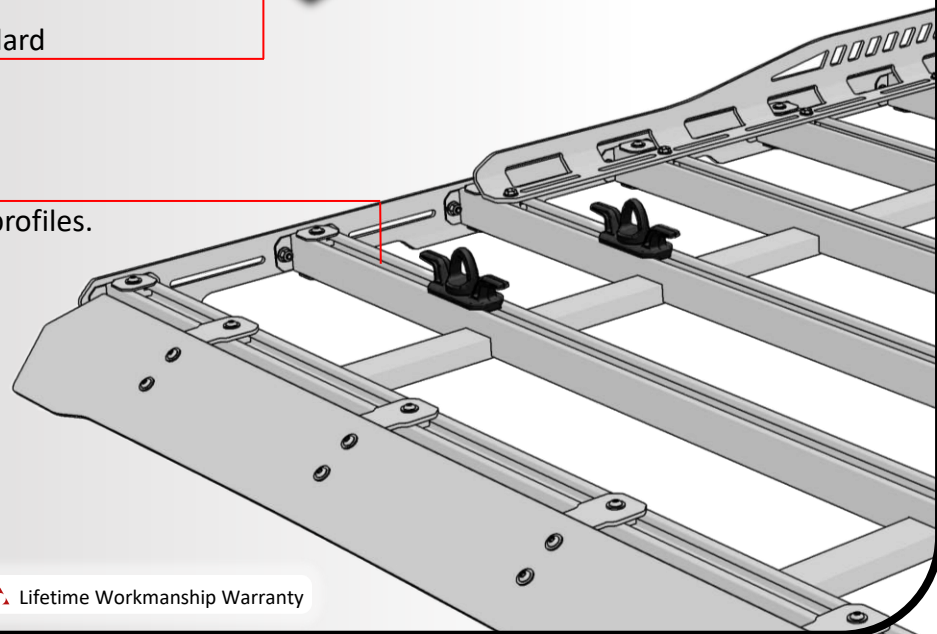
▲ Die cast aluminum Tie downs

▲ Black powder coated Finish

▲ Die cast aluminum nut With imbedded lock nut

▲ Compatible with standard 1-5/8" channels

▲ Compatible with all ApexOEM's patented profiles.



▲ Lifetime Workmanship Warranty

ApexOEM's tie downs are ideal for securing cargo on your truck, trailer or SUV. They attach easily and quickly, with a simple turn of the center loop to tighten. Die cast aluminum with black powder coated finish for long-lasting durability. This version comes in sets of 4.

DESCRIPTION	PART NO.
Rail Tie Downs	3219-300