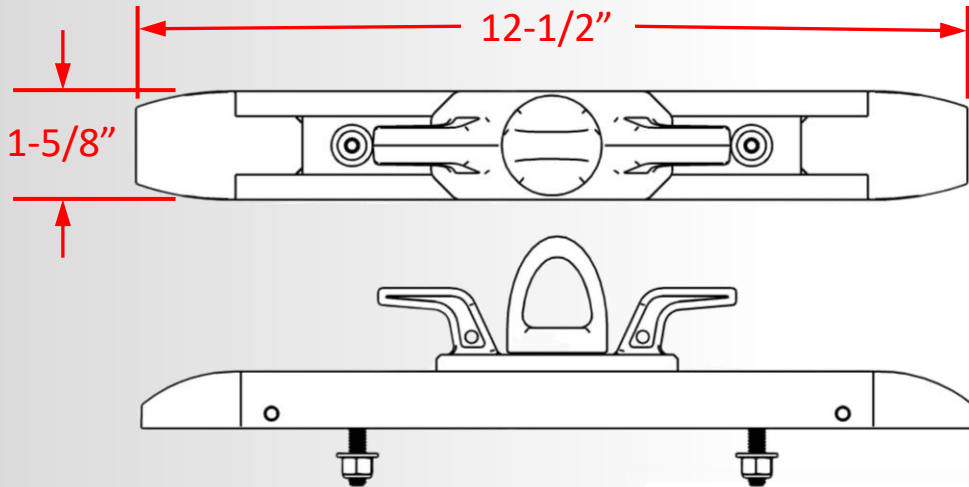
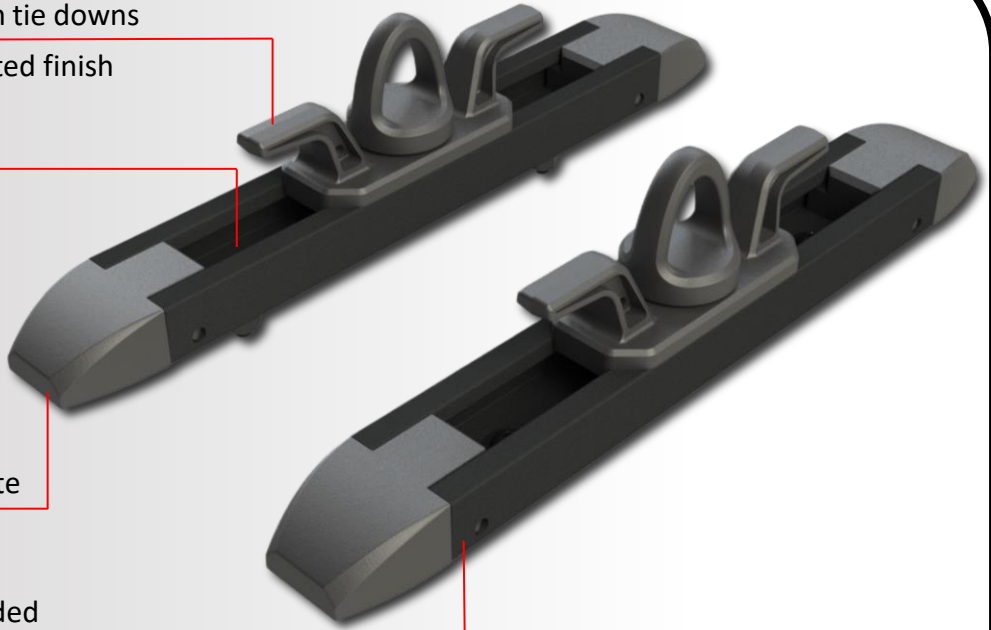


# CARGO RAILS

- ▲ Die cast aluminum tie downs
- ▲ Black powder coated finish
- ▲ Black zinc plated hardware
- ▲ Textured composite end caps
- ▲ 6000 series extruded aluminum with satin black powder coated finish



▲ Lifetime Workmanship Warranty

These Cargo rails from ApexOEM are the perfect way to secure your gear. This patented design is made with lightweight 6000 series aluminum and is compatible with standard 1-5/8" channel hardware. A black powder coated finish offers durability and a great look.

DESCRIPTION	PART NO.
Cargo Rail Kit	321157